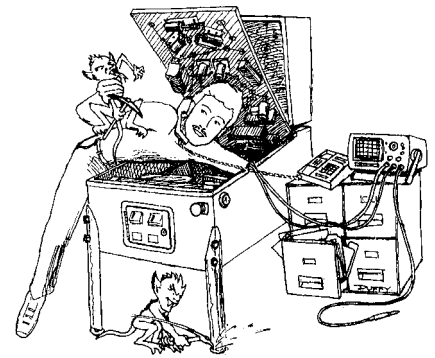




Nº 147 SERVICE BULLETIN



| | | | | | |
|----------------------------------------------------------------------|----------------------------------------------|----------------------------------------------------|------------------------------------------------------|--------------------------------------------------------|------------------------------------------------------------|
| Joe Blackwell Director, Parts Sales & Technical Support | Susan White Parts Sales Manager | Patty Schraps Parts Stockroom Manager | Chas Siddiqi Technical Support Engineer | Patrick Powers Technical Support Engineer | J. Alfer Technical Support Doc. Administrator |
|----------------------------------------------------------------------|----------------------------------------------|----------------------------------------------------|------------------------------------------------------|--------------------------------------------------------|------------------------------------------------------------|

TO: Parts & Service Managers

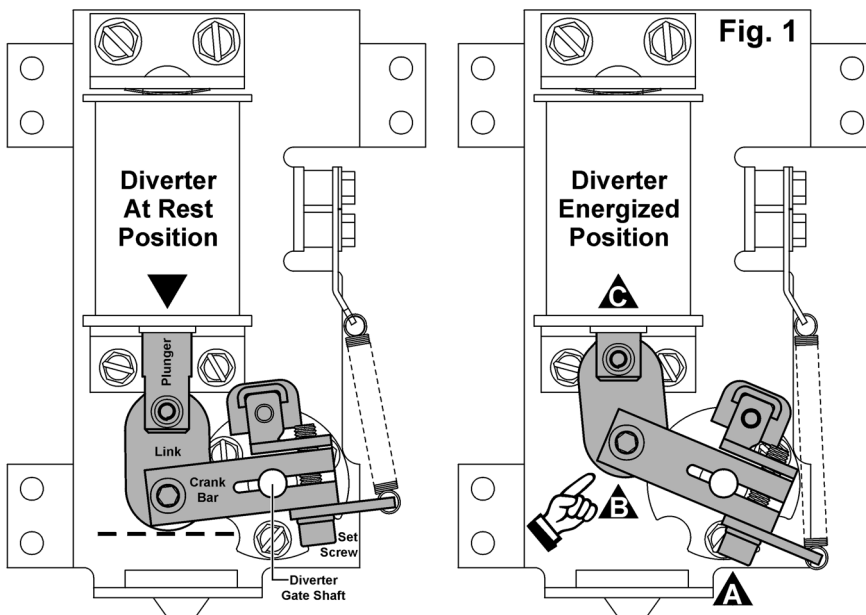
DATE: January 19, 2004

SUBJ: Diverter Gate Adjustment Procedure

Helpful Hints:

This adjustment procedure is important. Unlike adjusting your flipper bats, adjusting the gate is done opposite. With the **Power Turned OFF** and the *Playfield raised, at rest against the Backbox, perform the following:*

THE LORD OF THE RINGS



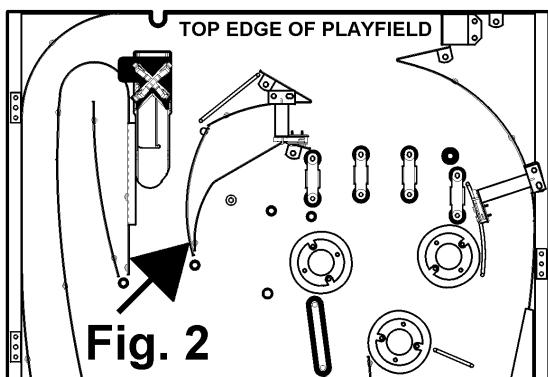
Step 1: Under the Playfield, using a 5/32" Allen Wrench, loosen the Set-Screw on the Crank Bar *just enough so that the Diverter Paddle can move with a gentle amount of force.* Ref. Fig. 1-A.

Step 2: Above the Playfield, position the Diverter Paddle to the Right Side Flat Rail so they touch (*opening the gate to the Left Orthanc Tower*). Ref. Fig. 2. With your finger, hold the gate in this position until Step 3 is performed.

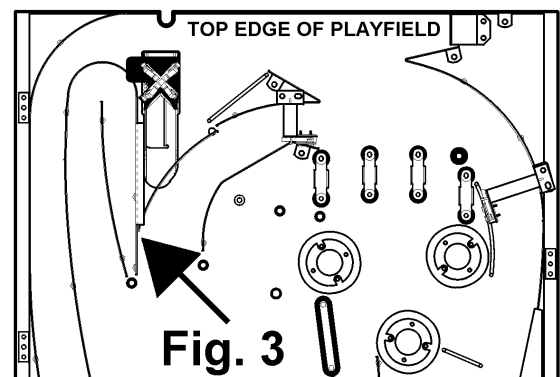
Step 3: Under the Playfield, push the Diverter Coil Plunger into the Coil Sleeve. Reference Fig. 1-B. With your finger, continue holding in the plunger and release the Diverter Gate (Fig. 2) to perform Step 4. If the Gate moves, refer to Step 1 and retighten just enough to hold in position (Fig. 2).

Step 4: Tighten the Set-Screw on the Crank Bar. Reference Fig. 1-A.

Step 5: Check above the playfield to ensure the Diverter Paddle Gate in the "Rest Position" is as close to the Left Flat Rail as possible without touching it. Reference Fig. 3.



For parts, see your *The Lord of the Rings™ Service Game Manual*, in the **Blue Pages**, Section 4, Chapter 2, Drawings ..., Page 80.



Please or eMail with any questions or comments at the below numbers or address.

• 2020 Janice Ave. • Melrose Park, IL 60160 • Tel 708-345-7700 (Option 1) • Toll-Free (USA/Canada) 1-800-542-5377 • Fax 708-345-7889 •

Received via Fax? For a better copy, download from our website: www.sternpinball.com/bulletins.htm

S.B. Nº 147
Page 1 of 1

Want Service Bulletins by eMail? Request by eMail: parts.service@sternpinball.com